



BORA WALL SPLIT AIR CONDITIONER

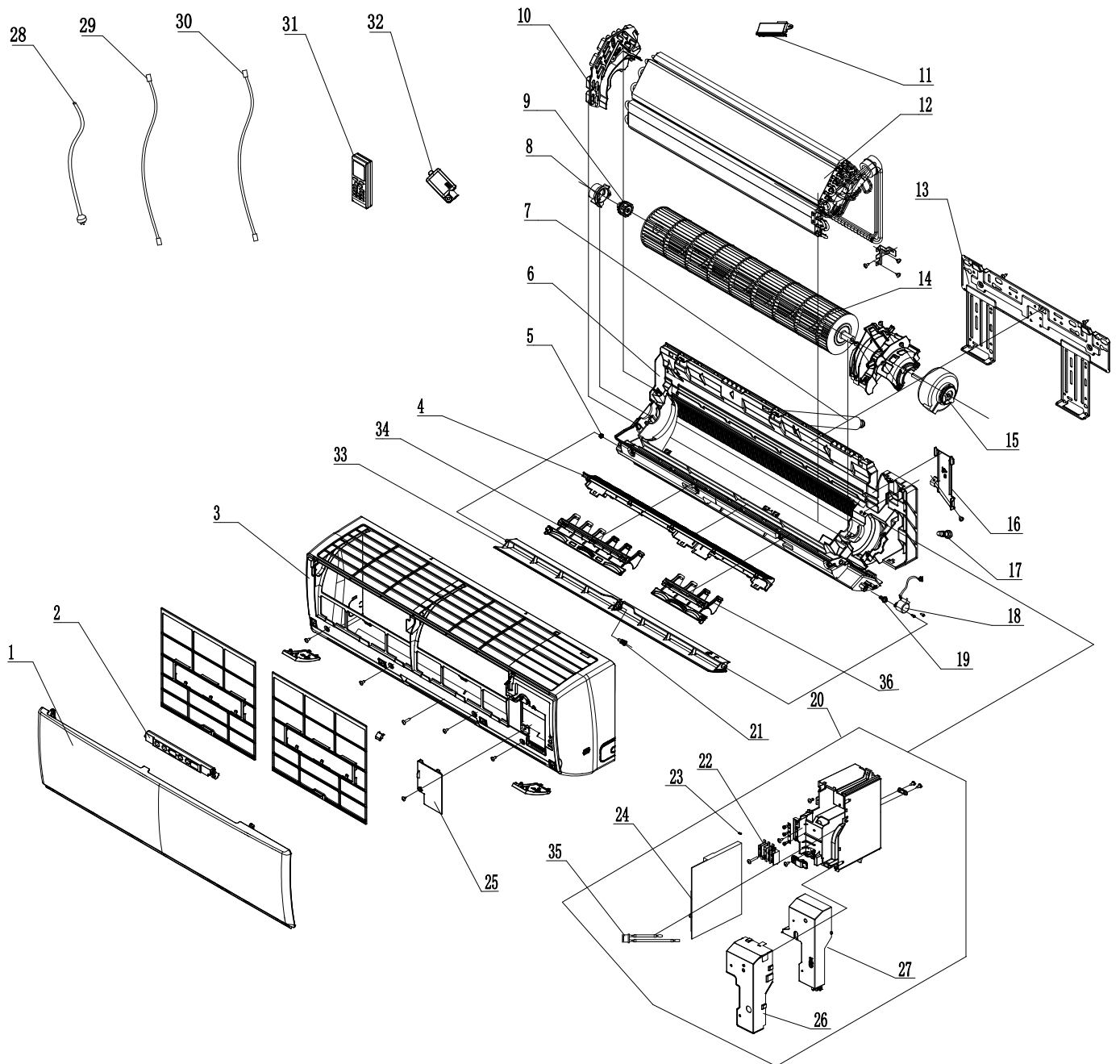
SPARE PARTS LIST



February 2023

GWH09AAC-K6DNA1A/I

Exploded View



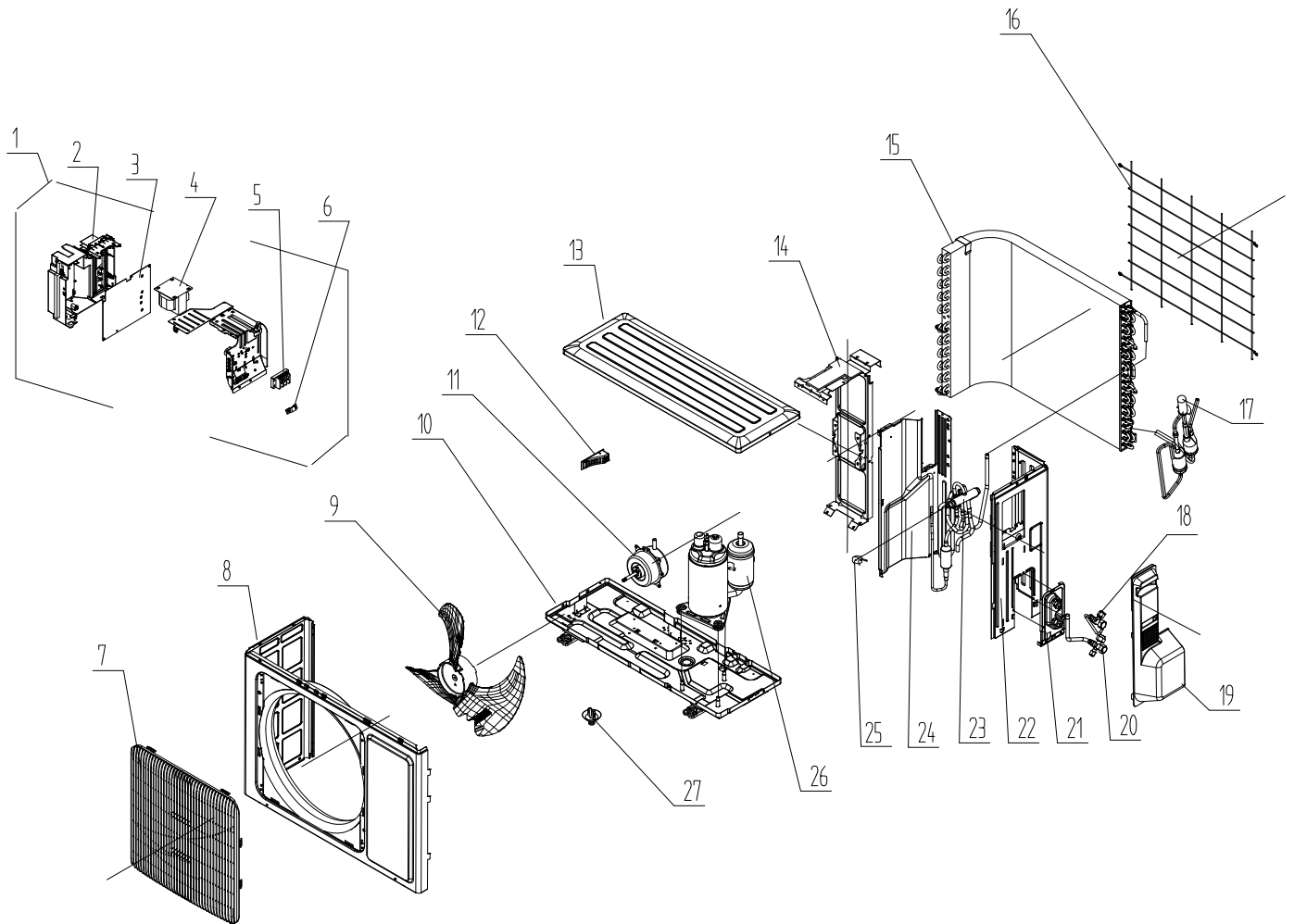
GWH09AAC-K6DNA1A/I

Spare Parts List

No.	Part Description	Part Code
1	Front Panel	20000300003801T
2	Display Board	300001000037
3	Front Case	20000200000901
4	Helicoid Tongue	26112436
5	Left Axile Bush	10512037
6	Rear Case assy	000001000010
7	Drainage Hose	05230014
8	Ring of Bearing	26152022
9	O-Gasket sub-assy of Bearing	76512051
10	Evaporator support	24212179
11	Cold Plasma Generator	N/A
12	Evaporator Assy	0100297608
13	Wall Mounting Frame	01204300000401
14	Cross Flow Fan	10352056
15	Motor	1501214606
16	Connecting pipe clamp	2611216401
17	Rubber Plug (Water Tray)	76712012
18	Stepping Motor	1521210712
19	Crank	73012005
20	Electric Box Assy	100002067404
21	Axile Bush	10542036
22	Terminal Board	42011233
23	Jumper	4202021907
24	Main Board	300002061108
25	Electric Box Cover Sub-Assy	017053060075
26	Shield Cover of Electric Box Cover	01592150
27	Electric Box Cover	20112207
28	Power Cord	N/A
29	Connecting Cable	4002052318
30	Connecting Cable	N/A
31	Remote Controller	305001000009_X57326
32	Board Assy	000409000001
33	Guide Louver	20000400000501
34	Air Louver 1	10512723
35	Temperature Sensor	3900031302
36	Air Louver 2	10512724
Note of extra parts	Temperature Sensor	3900031302

GWH09AAC-K6DNA1A/O

Exploded View



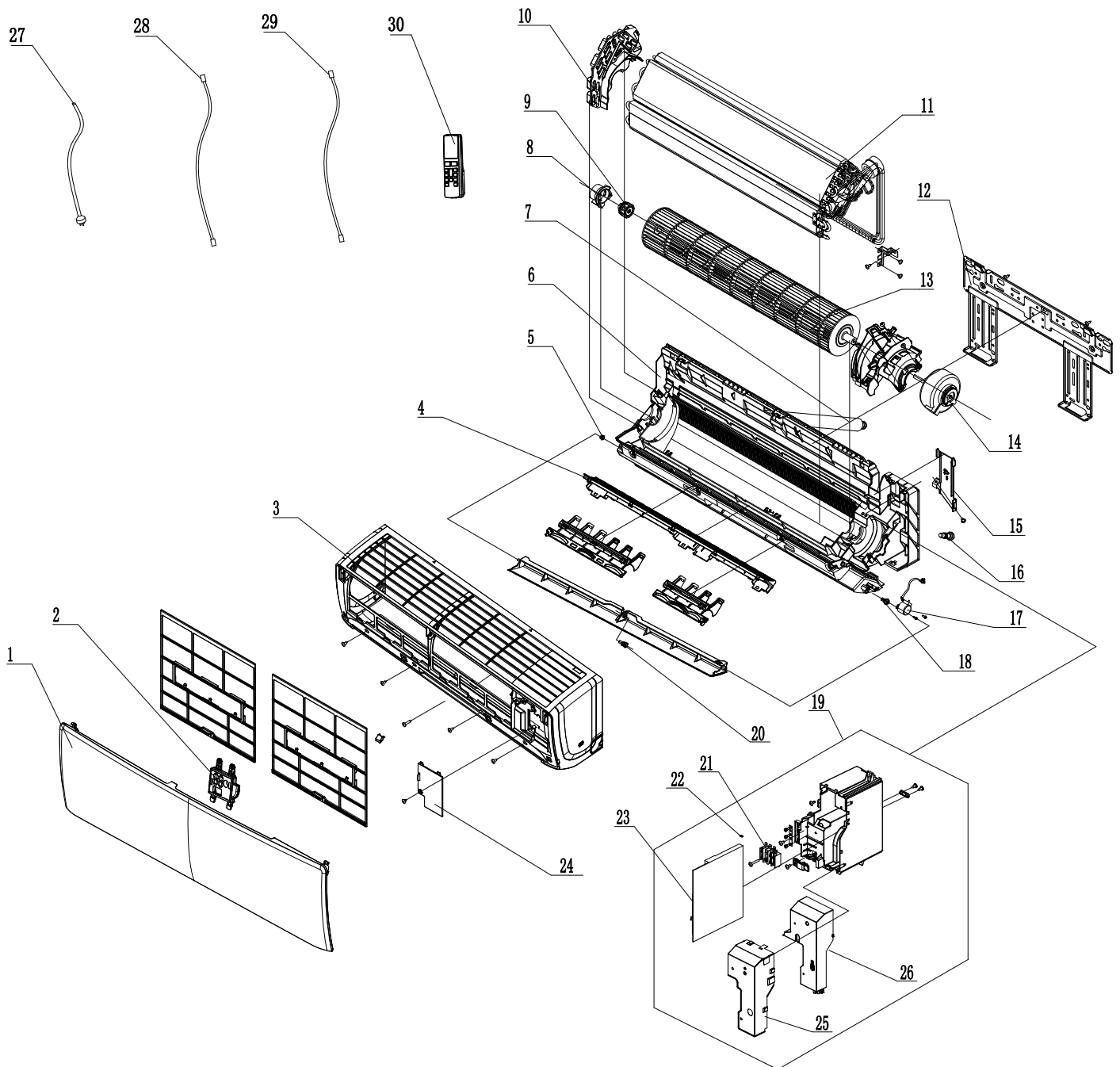
GWH09AAC-K6DNA1A/O

Spare Parts List

NO.	Part Description	Part Code
1	Electric Box Assy	100002067395
2	Electric Box Sub-Assy	017007061528
3	Main Board	300027060946
4	Reactor	43130184
5	Terminal Board	422000060016
6	Wire Clamp	71010103
7	Front Grill	22413043
8	Front Panel	01533034P
9	Axial Flow Fan	10333004
10	Chassis Sub-assy	017000060378P
11	Brushless DC Motor	1501308511
12	Small Handle	26233100
13	Top Cover Sub-Assy	000051060095
14	Motor Support	0170310401
15	Condenser Assy	011002060908
16	Rear Grill	01473009
17	Electronic Expansion Valve	N/A
18	Valve	07100003
19	Big Handle	262334332
20	Cut off Valve	071302391
21	Valve Support	0171314201P
22	Right Side Plate Sub-Assy	0130317801
23	4-Way Valve Assy	030152060355
24	Clapboard Sub-Assy	0123338502
25	Magnet Coil	4300040050
26	Compressor and Fittings	009001060050
27	Drainage Connector	06123401
Note of extra parts	Temperature Sensor	3900030805

GWH12AAC-K6DNA1F/I

Exploded View



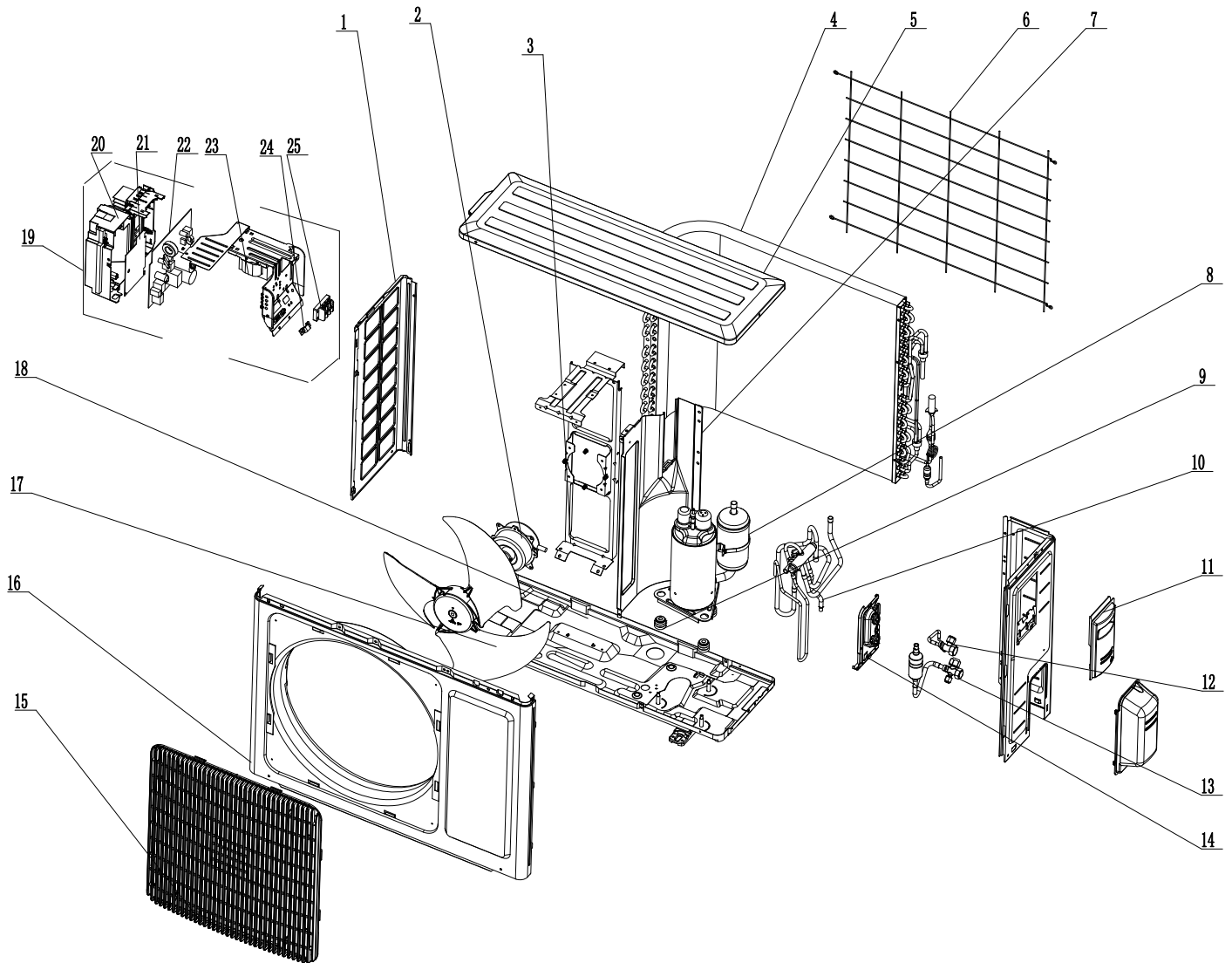
GWH12AAC-K6DNA1F/I

Spare Parts List

NO.	Part Description	Part Code
1	Front Panel	20000300003801T
2	Display Board	300001000037
3	Front Case	20000200000901
4	Helicoid Tongue	26112436
5	Left Axile Bush	10512037
6	Rear Case assy	000001000010
7	Drainage Hose	05230014
8	Ring of Bearing	26152022
9	O-Gasket sub-assy of Bearing	76512051
10	Evaporator support	24212179
11	Evaporator Assy	01100106016201
12	Wall Mounting Frame	01204300000401
13	Cross Flow Fan	10352056
14	Motor	1501214606
15	Connecting pipe clamp	2611216401
16	Rubber Plug (Water Tray)	76712012
17	Stepping Motor	1521210712
18	Crank	73012005
19	Electric Box Assy	100002067782
20	Axile Bush	10542036
21	Terminal Board	42011233
22	Jumper	4202021906
23	Main Board	300002061108
24	Electric Box Cover Sub-Assy	017053060075
25	Shield Cover of Electric Box Cover	01592150
26	Electric Box Cover	20112207
27	Power Cord	N/A
28	Connecting Cable	4002052317
29	Connecting Cable	N/A
30	Remote Control	305001060019C35
Note of extra parts	Temperature Sensor	3900031302

GWH12AAC-K6DNA1F/O

Exploded View



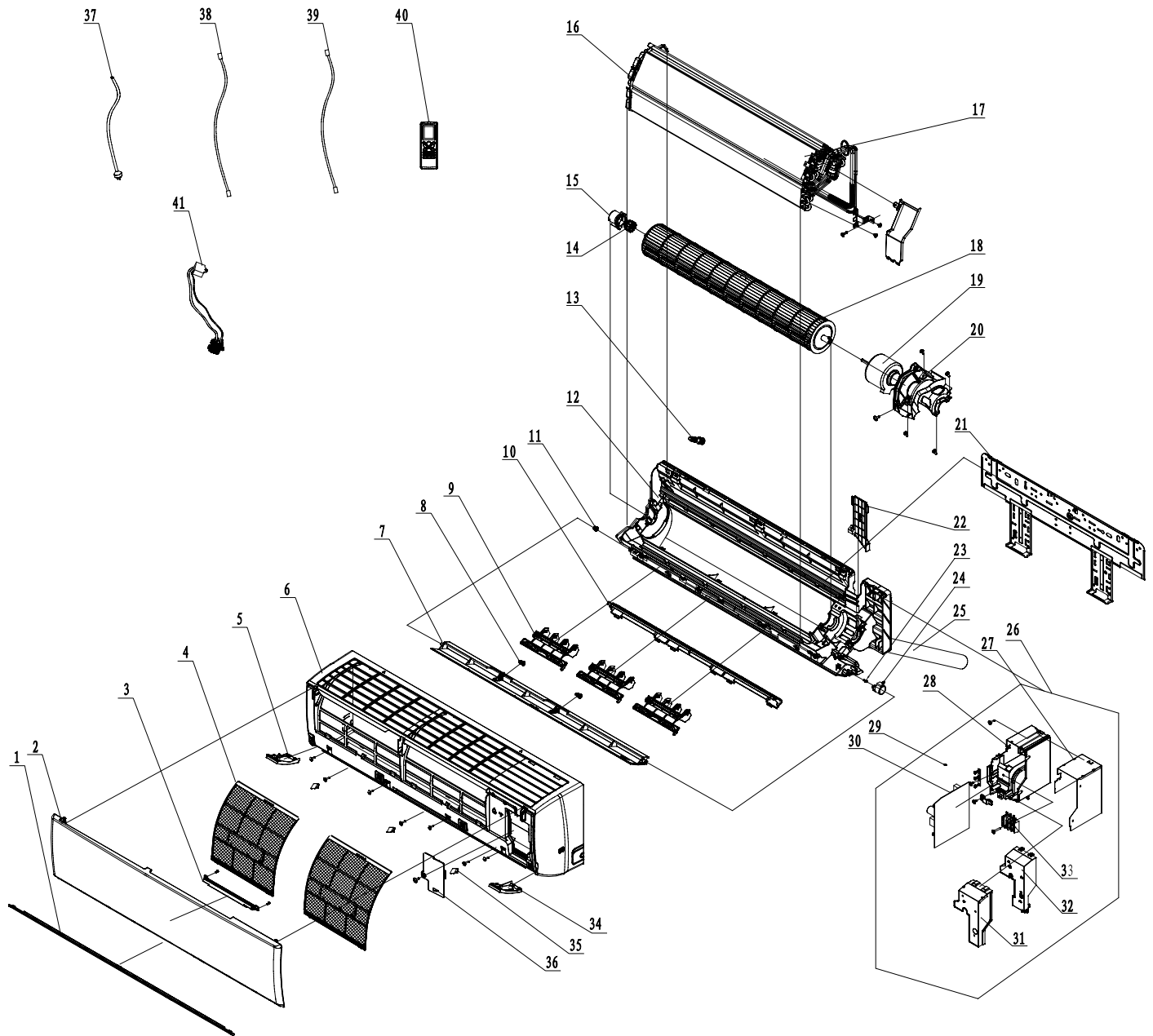
GWH12AAC-K6DNA1F/O

Spare Parts List

NO.	Part Description	Part Code
1	Left Side Plate	01303200P
2	Brushless DC Motor	1501308511
3	Motor Support	01703136
4	Condenser Assy	011002060489
5	Top Cover Sub-Assy	000051060094
6	Rear Grill	01475014
7	Clapboard Sub-Assy	01233180
8	Compressor and Fittings	009001060066
9	Compressor Gasket	009012000027
10	4-way Valve Assy	030152060090
11	Big Handle	2623343106
12	Cut off Valve	07130239
13	Cut off Valve	071302391
14	Valve Support	0171314201P
15	Front Grill	22413044
16	Front Panel Assy	00000306003405
17	Axial Flow Fan	10333011
18	Chassis Sub-assy	01700006008301P
19	Electric Box Assy	100002067779
20	Electric Box Sub-Assy	017007061645
21	Filter Board	N/A
22	Main Board	300027060979
23	Reactor	43130184
24	Wire Clamp	71010103
25	Terminal Board	422000060016
Note of extra parts	Temperature Sensor	3900030805

GWH18AAD-K6DNA1D/I

Exploded View



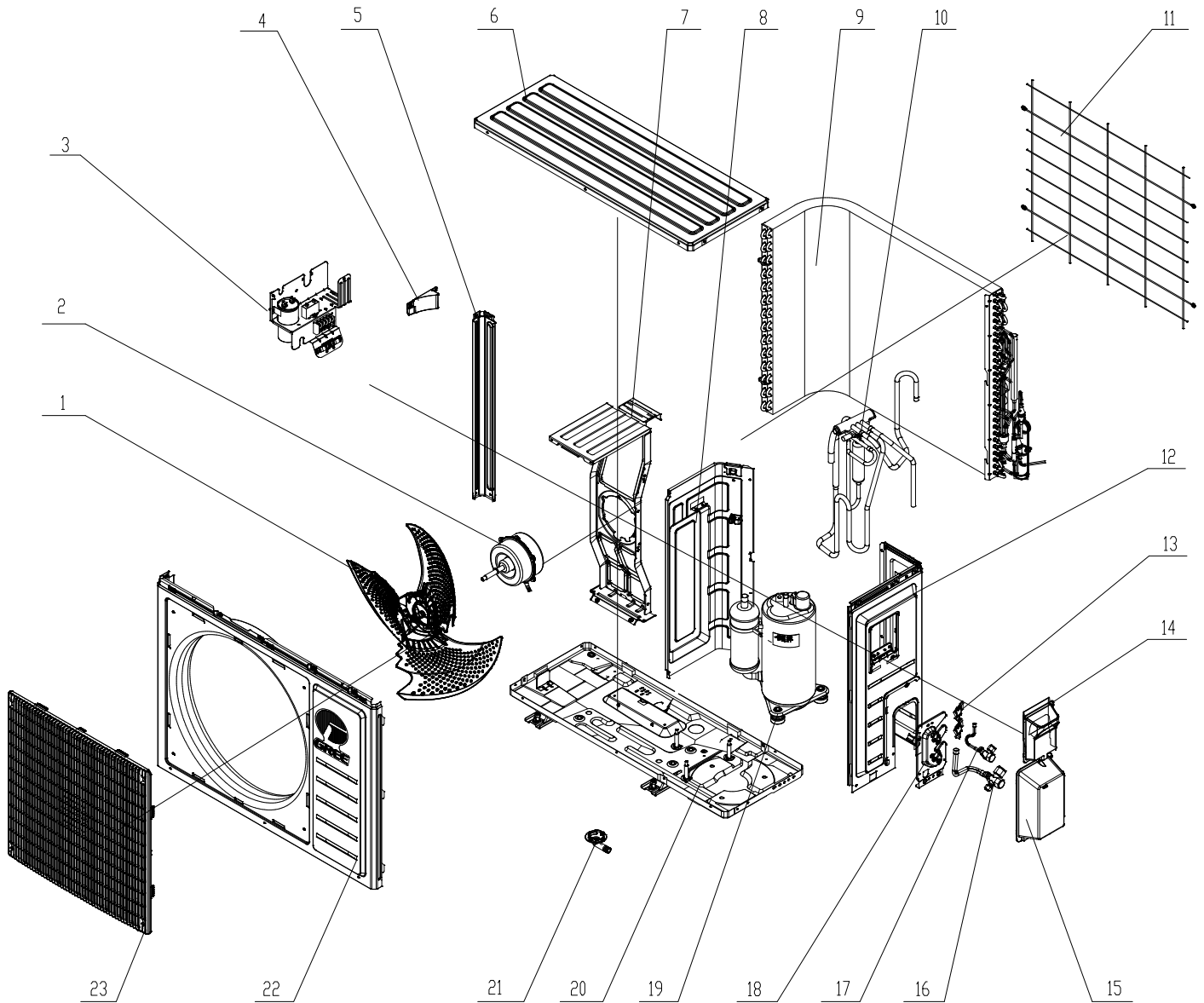
GWH18AAD-K6DNA1D/I

Spare Parts List

NO.	Part Description	Part Code
1	Decorative Strip	N/A
2	Front Panel	20000300003101
3	Display Board	300001000037
4	Filter Sub-Assy	1112208906
5	Decorative Board (Left)	N/A
6	Front Case	20000200000801
7	Guide Louver	20000400000401
8	Axile Bush	10542036
9	Air Louver(Manual)	10512732
10	Helicoid Tongue	26112512
11	Left Axile Bush	10512037
12	Rear Case assy	000001000009
13	Rubber Plug (Water Tray)	76712012
14	O-Gasket sub-assy of Bearing	76512051
15	Ring of Bearing	26152025
16	Evaporator Support	24212177
17	Evaporator Assy	011001000207
18	Cross Flow Fan	10352060
19	Fan Motor	1501214508
20	Motor Press Plate	26112511
21	Wall Mounting Frame	012043000006
22	Connecting pipe clamp	2611218801
23	Crank	73012005
24	Stepping Motor	1521240210
25	Drainage Hose	05230014
26	Electric Box Assy	100002067784
27	Lower Shield of Electric Box	01592139
28	Electric Box	2011221104
29	Jumper	4202021909
30	Main Board	300002061107
31	Shield Cover of Electric Box	01592176
32	Electric Box Cover	20112209
33	Terminal Board	42011233
34	Decorative Board (Right)	N/A
35	Screw Cover	242520179
36	Electric Box Cover2	20112210
37	Power Cord	N/A
38	Connecting Cable	4002052317
39	Connecting Cable	N/A
40	Remote Control	305001060019
41	Cold Plasma Generator	N/A
Note of extra parts	Temperature Sensor	3900031302

GWH18AAD-K6DNA1D/O

Exploded View



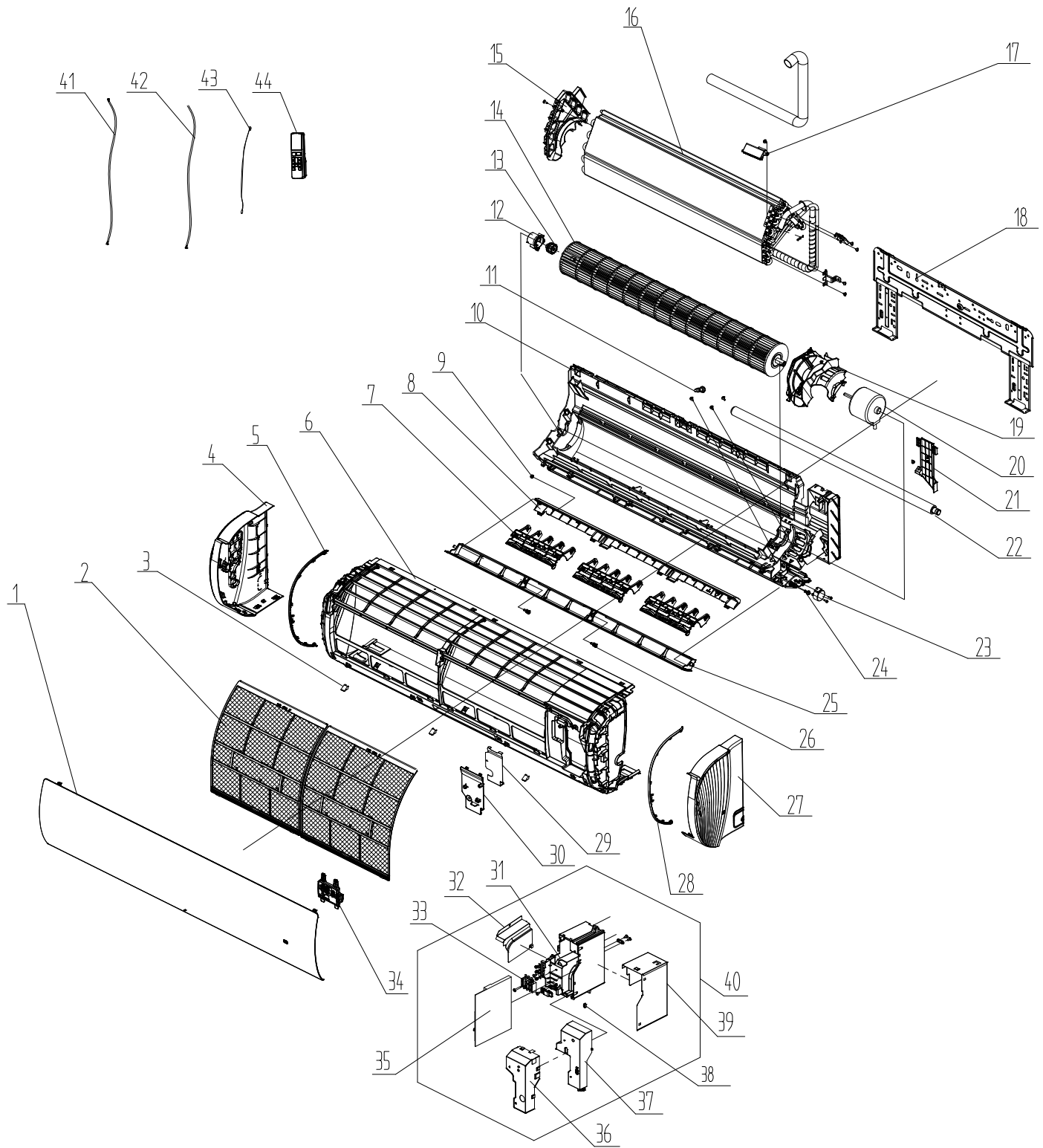
GWH18AAD-K6DNA1D/O

Spare Parts List

NO.	Part Description	Part Code
1	Axial Flow Fan	10333023
2	Brushless DC Motor	1501506406
3	Electric Box Assy	100002067780
4	Handle	26233014
5	Left Side Plate	01303025
6	Top Cover Assy	02200300001
7	Motor Support Sub-Assy	01701200009
8	Clapboard Sub-Assy	017021000063
9	Condenser Assy	011002000378
10	4-Way Valve Assy	030152000232
11	Rear Grill	016001000023
12	Right Side Plate Assy	000081000021
13	Valve Support Block	26113017
14	Handle	26233013
15	Valve Cover	22243015
16	Cut off Valve	071302392
17	Cut off Valve	07130239
18	Valve Support Sub-Assy	017104000002P
19	Compressor and Fittings	00103919G
20	Chassis Sub-assy	017000000187P
21	Drainage Joint	26113009
22	Front Panel Assy	02200200003
23	Front Grill	22413051
Note of extra parts	Temperature Sensor	3900030902

GWH24AAE-K6DNA1F/I

Exploded View



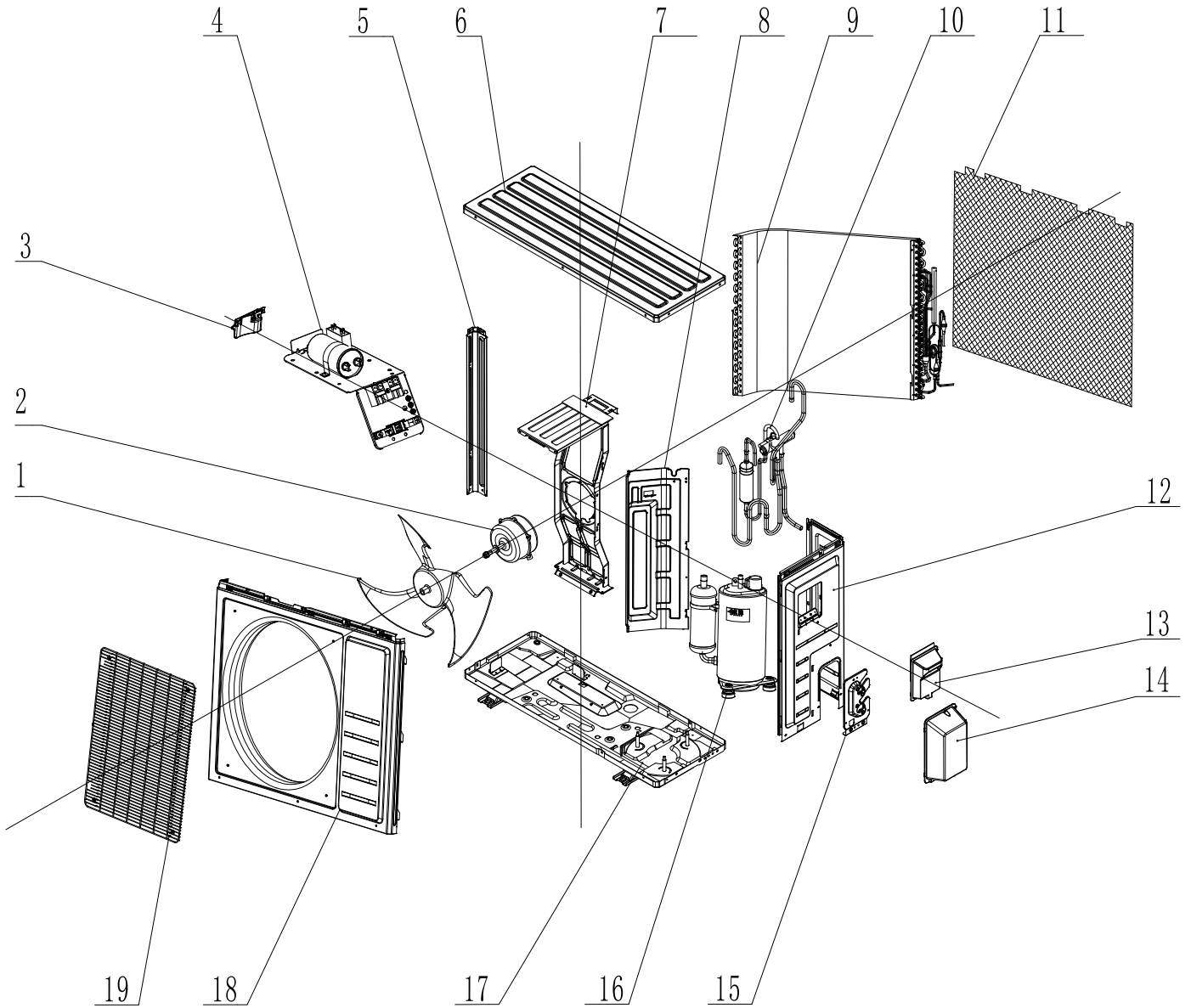
GWH24AAE-K6DNA1F/I

Spare Parts List

NO.	Part Description	Part Code
1	Front Panel	20000300007001
2	Filter Sub-Assy	1101200703
3	Screw Cover	24252453
4	Left Side Plate	N/A
5	Decorative Strip(Left)	N/A
6	Front Case	20000200001506
7	Air Louver(Manual)	10512737
8	Helicoid Tongue	26112513
9	Left Axile Bush	10512037
10	Rear Case assy	000001000016
11	Rubber Plug (Water Tray)	76712012
12	Ring of Bearing	26152025
13	O-Gasket sub-assy of Bearing	76512051
14	Cross Flow Fan	10352057
15	Evaporator Support	24212178
16	Evaporator Assy	01100100007304
17	Cold Plasma Generator	N/A
18	Wall Mounting Frame	012043000007
19	Motor Press Plate	26112515
20	Fan Motor	15012145
21	Connecting pipe clamp	26112514
22	Drainage Hose	0523001405
23	Stepping Motor	1521240210
24	Crank	73012005
25	Guide Louver	20000400001301
26	Axile Bush	10542036
27	Right Side Plate	N/A
28	Decorative Strip(Right)	N/A
29	Shield Cover of Electric Box Cover 2	01202000099
30	Electric Box Cover2	20112210
31	Electric Box	2011221104
32	Side plate (electric box)	01302002
33	Terminal Board	42011233
34	Display Board	300001000037
35	Main Board	300002061098
36	Shield Cover of Electric Box	01592176
37	Electric Box Cover	20112209
38	Jumper	4202021913
39	Lower Shield of Electric Box	01592139
40	Electric Box Assy	100002067353
41	Connecting Cable	4002052318
42	Connecting Cable	N/A
43	Temperature Sensor	3900031302
44	Remote Controller	305001000009
Note of extra parts	Temperature Sensor	3900031302

GWH24AAE-K6DNA1F/O

Exploded View



GWH24AAE-K6DNA1F/O

Spare Parts List

NO.	Part Description	Part Code
1	Axial Flow Fan	10333023
2	Brushless DC Motor	1501506406
3	Handle	26233014
4	Electric Box Assy	100002067354
5	Left Side Plate	01303025
6	Coping	01253105
7	Motor Support	01703245
8	Clapboard Sub-Assy	017021000063
9	Condenser Assy	011002000378
10	4-Way Valve Assy	030152060381
11	Rear Grill	016001000023
12	Right Side Plate	01303312
13	Handle	26233013
14	Valve Cover	22243015
15	Valve Support Sub-Assy	017104060025P
16	Compressor and Fittings	009001060387
17	Chassis Sub-assy	017000000187P
18	Cabinet	01433072
19	Front Grill	20005700000
Note of extra parts	Temperature Sensor	3900030902

It is the policy of Gree Australia to introduce continuous product improvements.
Accordingly, specifications are subject to change without notice.
Please consult with your dealer to confirm the specifications of the model selected.

1800 473 346
greeac.com.au

